

535 Personal Oxygen Station

DeVilbiss® iFill™ Personal Oxygen Station

Model 535D

CAUTION-Federal (USA) law restricts this device to sale by or on the order of a physician.

WARNING-Read and understand this instruction guide before operating this equipment.

Instruction
Guide

 **DANGER—NO SMOKING**

Estación de Oxígeno Personal iFill™ DeVilbiss®

Modelo 535D

PRECAUCIÓN-La ley federal (de los EE.UU.) restringe la venta de este aparato, el cual sólo puede ser vendido por un médico o con la prescripción de éste.

ADVERTENCIA-Antes de usar este equipo asegúrese de leer y comprender toda la información contenida en esta guía de instrucciones.

Guía de
Instrucciones

 **PELIGRO – NO FUMAR**

Générateur d'oxygène Personnel iFill™ DeVilbiss®

Modèle 535D

ATTENTION-En vertu de la législation fédérale des États-Unis, cet appareil ne peut être vendu que par un médecin ou sur ordre de ce dernier.

AVERTISSEMENT-Veuillez lire et comprendre ce guide avant d'utiliser cet équipement.

Guide de
l'utilisateur

 **DANGER—NE PAS FUMER**

DEVILBISS®



 **SUNRISE
MEDICAL®**
www.sunrisemedical.com

Improving People's Lives

TABLE OF CONTENTS

IEC Symbols	4
Important Safeguards	4
General Dangers and Warnings	4
Handling Warnings	5
Cautions & Notes	5
Provider Checklist	5
Introduction	5
Important Parts	
DeVilbiss iFill Personal Oxygen Station	6
iFill Oxygen Cylinder and Regulator	6
Accessory/Replacement Parts	6
Set-Up	
Choosing A Location	7
Transporting The Personal Oxygen Station	7
DeVilbiss iFill Personal Oxygen Station Operation Checklist	7
iFill Oxygen Cylinder External Examination	7
Operation	
Connecting The iFill Cylinder To The DeVilbiss iFill Personal Oxygen Station	8
Filling the iFill Oxygen Cylinder	8
Indicator Lights Explanation	8
Removing The iFill Oxygen Cylinder	9
Setting The iFill Oxygen Cylinder Rotary Selector To The Prescribed Setting	9
Troubleshooting	
DeVilbiss iFill Personal Oxygen Station	9
iFill Oxygen Cylinder/Regulator	10
Typical Questions and Answers	10
Cleaning/Maintenance	
Filter Cleaning	10
Cabinet	10
Specifications	
DeVilbiss iFill Personal Oxygen Station	11
iFill Oxygen Cylinder/Regulator	11
iFill Oxygen Cylinder Typical Fill Times	11

CONTENIDO







Simbolos IEC	12
Precauciones importantes	12
Peligros y advertencias generales	12
Advertencias de manipulación	13
Precauciones y notas	13
Lista de verificación del proveedor	13
Introducción	14
Partes importantes	
Estación de oxígeno personal iFill DeVilbiss	14
Cilindro de oxígeno y regulador iFill	14
Accesorios / piezas de repuesto	14
Preparación	
Elección del lugar	15
Transporte de la estación de oxígeno personal	15
Lista de verificación de funcionamiento de la estación de oxígeno personal iFill DeVilbiss	15
Examen externo del cilindro de oxígeno iFill	15
Funcionamiento	
Conexión del cilindro iFill a la estación de oxígeno personal iFill DeVilbiss	16
Llenado del cilindro de oxígeno iFill	16
Explicación de las luces indicadoras	17
Remoción del cilindro de oxígeno iFill	17
Ajuste del selector rotatorio del cilindro de oxígeno iFill en el parámetro prescrito	17

Solución de problemas	
Estación de oxígeno personal iFill DeVilbiss	17
Cilindro de oxígeno / regulador iFill	18
Preguntas comunes y sus respuestas	18
Limpieza / mantenimiento	
Limpieza del filtro	19
Gabinete	19
Especificaciones	
Estación de oxígeno personal iFill DeVilbiss	19
Cilindro de oxígeno / regulador iFill	19
Tiempos típicos de llenado del cilindro de oxígeno iFill	19

TABLE DES MATIÈRES

Symboles CEI	20
Mises en garde importantes	20
Dangers et avertissements généraux	20
Consignes de manipulation	21
Précautions et remarques	21
Liste de vérification du fournisseur	21
Introduction	22
Pièces principales	
Générateur d'oxygène personnel iFill DeVilbiss	22
Bouteille d'oxygène iFill et régulateur	22
Accessoires/Pièces de rechange	22
Préparation	
Choisir l'emplacement	23
Transport du générateur d'oxygène personnel	23
Liste de vérification du fonctionnement du générateur d'oxygène personnel iFill DeVilbiss	23
Inspection externe de la bouteille d'oxygène iFill	23
Fonctionnement	
Branchement de la bouteille iFill sur le générateur d'oxygène personnel iFill DeVilbiss	24
Remplissage de la bouteille d'oxygène iFill	24
Explication des voyants indicateurs	25
Retrait de la bouteille d'oxygène iFill	25
Réglages adéquats du sélecteur rotatif de la bouteille d'oxygène iFill	25
Dépannage	25
Générateur d'oxygène personnel iFill DeVilbiss	26
Bouteille d'oxygène et régulateur iFill	26
Questions-réponses types	26
Nettoyage/Entretien	
Nettoyage du filtre	27
Boîtier	27
Caractéristiques techniques	
Générateur d'oxygène personnel iFill DeVilbiss	27
Bouteille/régulateur d'oxygène iFill	27
Durées de remplissage typiques de la bouteille d'oxygène iFill	27

IEC SYMBOLS

- | | |
|--|--|
|  Attention, consult instruction guide |  Type BF applied part |
|  AC current |  Double Insulated |
|  Electric Shock Hazard. Do Not Open |  Danger-No Smoking |

IMPORTANT SAFEGUARDS

When using electrical products, especially when children are present, basic safety precautions should always be followed. Read all instructions before using. Important information is highlighted by these terms:

- DANGER** Urgent safety information for hazards that will cause serious injury or death.
- WARNING** Important safety information for hazards that might cause serious injury.
- CAUTION** Information for preventing damage to the product.
- NOTE** Information to which you should pay special attention.

Important safeguards are indicated throughout this guide; pay special attention to all safety information.

READ ALL INSTRUCTIONS BEFORE USING.

SAVE THESE INSTRUCTIONS.

GENERAL DANGERS & WARNINGS

In order to ensure the safe installation, assembly, and operation of the personal oxygen station, these instructions **MUST** be followed:

DANGER-NO SMOKING

DANGER

- **DANGER-Electric Shock Hazard. Do not disassemble.** The DeVilbiss iFill Personal Oxygen Station contains no user serviceable parts. If service is required, contact your Sunrise Medical provider or authorized service center.
- **DANGER-Fire Hazard. Do not lubricate. Do not allow grease or oil from your hands or other source to come into contact with the regulator or cylinder valve connection.** These solutions may be flammable and cause injury.
- **DANGER-Keep the personal oxygen station at least 5 feet (1.6 m) from hot, sparking objects or naked sources of flame. Position your unit at least 6 inches (16 cm) from walls, draperies, or any other object that might prevent the proper flow of air in and out of your oxygen station. The oxygen station should be located so as to avoid pollutants or fumes.**
- **DANGER-Oxygen causes rapid burning. Do not smoke while your personal oxygen station is operating, or when you are near a person utilizing oxygen therapy. Keep the oxygen station at least 5 feet (1.6 m) from hot, sparking objects or naked sources of flame.**
- **DANGER-Do not lay the cannula down while the cylinder is delivering oxygen. High concentrations of oxygen can cause rapid burning.**

WARNING

- **Do not install, assemble, or operate this equipment without first reading and understanding this instruction manual and the oxygen cylinder warning label. If you are unable to understand the warnings, cautions and instructions, contact your provider or technical personnel if applicable before attempting to install or use this equipment - otherwise, injury or damage may occur.**
- **The use of this device is limited to an oxygen patient. Cylinders **MUST** be used **ONLY** by an oxygen patient and are not to be distributed to any other individual for any purpose.**
- **Do not use parts, accessories, or adapters other than those authorized by Sunrise Medical.**
- **NEVER block the air openings of the product or place it on a soft surface, such as a bed or couch, where the air opening may be blocked. Keep the openings free from lint, hair and the like.**
- **If the oxygen station has a damaged cord or plug, if it is not working properly, if it has been dropped or damaged, or if it has been submersed in water, do not use and call a qualified technician for examination and repair.**

- If any leakage of the oxygen cylinder is detected, do not attempt to use the cylinder. Turn the rotary selector on the regulator to “OFF.” If leakage persists, place the cylinder outdoors and notify your Home Health Care Provider or Service Representative of this condition.
- The personal oxygen station is equipped with a High Pressure Relief Valve to ensure the user’s safety. When activated, this safety feature will make an extremely loud noise. If this noise occurs, turn the unit off and contact your Home Health Care Provider or Service Representative.
- Before moving or repositioning the personal oxygen station, always disconnect the AC power cord. Failure to do so may result in damage to the unit or personal injury.
- Children should always be supervised around the personal oxygen station. Failure to do so may result in damage to the unit or personal injury.
- Improper use of the power cord and plugs can cause a burn, fire, or other electric shock hazards. Do not use the unit if the power cord is damaged.
- For your safety, the oxygen cylinder must be used according to the prescription determined by your physician.
- Under certain circumstances, oxygen therapy can be hazardous. Seeking medical advice before using oxygen is advisable.

⚠ WARNING - HANDLING WARNINGS

- Use extreme care when handling and filling an oxygen cylinder. Full oxygen cylinders are under pressure and can become a projectile if dropped or mishandled.
- Never transport the oxygen station with a cylinder connected to it. Injury or damage can occur.

CAUTIONS & NOTES

CAUTION—Federal law restricts this device to sale by or on order of a physician.

NOTE— Do not connect to an electrical outlet controlled by a wall switch. No other appliances should be plugged into the wall outlet.

NOTE— The plug on the DeVilbiss iFill Personal Oxygen Station has one blade wider than the other. To reduce the risk of electric shock, this plug is intended to fit in a wall outlet only one way. Do not attempt to defeat this safety feature.

NOTE— Sunrise Medical recommends leaving a full cylinder of oxygen with the patient **AFTER** setting up the personal oxygen station.

PROVIDER CHECKLIST

Before leaving a DeVilbiss iFill Personal Oxygen Station with a user, the following checklist **MUST** be completed:

1. Check all parts for shipping damage. In case of damage, do not use. Contact Sunrise Medical for further instructions.
2. Make sure the hydrostatic test on the oxygen cylinder has not expired.
3. Instruct the user on the safe operation of the personal oxygen station and review ALL warnings.
4. Leave a copy of this instruction guide with the user.

NOTE— Sunrise Medical recommends leaving a full cylinder of oxygen with the patient **AFTER** setting up the personal oxygen station, and instructing the patient to always keep a filled cylinder on hand.

INTRODUCTION

This instruction guide will acquaint you with the DeVilbiss iFill Personal Oxygen Station. Make sure that you read and understand this guide before operating your oxygen station. Important safeguards are indicated throughout this guide; pay special attention to all safety information. Contact your Sunrise Medical/DeVilbiss equipment provider should you have any questions. **NOTE**– All references to cylinder throughout the guide represent an oxygen cylinder.

INDICATIONS FOR USE

The Model 535D Oxygen Cylinder Filling System is intended for use in supplying pressurized oxygen to fill oxygen cylinders for patients' ambulatory use. The device is intended to provide 93% (±3%) oxygen. This device can be used in homes, nursing homes, patient care facilities, etc.

IMPORTANT PARTS

DEVILBISS IFILL PERSONAL OXYGEN STATION (FIGURES A & B)

1. Oxygen Fill Connector (referred to as Fill Connector throughout guide)
2. Oxygen Fill Connector Cover/Cylinder Adapter (referred to as Fill Connector Cover and/or Cylinder Adapter throughout guide)
3. Oxygen Fill Port Collar (referred to as Fill Port Collar throughout guide)
4. Instruction Label
5. Indicator Panel Label
 - a. Service Required (Red) LED
 - b. Filling (Green) LED
 - c. Full (Green) light
 - d. Standby (Green) light
6. Start/Stop Switch
7. Cradle
8. Circuit Breaker
9. Front Handle
10. Rear Handle
11. Carry Handle Recess
12. Intake Filter(s) (2 - one on each side)
13. Hour Meter - behind filter on Indicator Panel label side (right side)

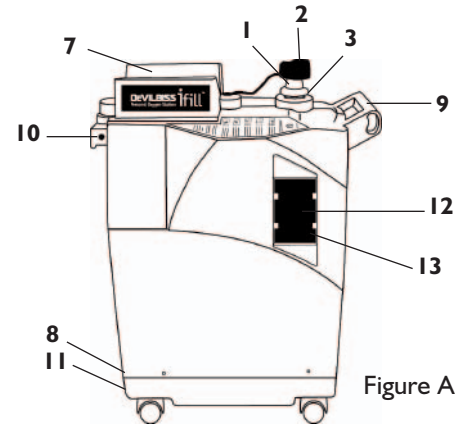


Figure A

IFILL OXYGEN CYLINDER & REGULATOR (FIGURE C)

1. Rotary Selector
2. Nipple Connector
3. Hydrostatic Test Date - Contact your homecare provider or the cylinder manufacturer for details.
4. Cannula Fitting

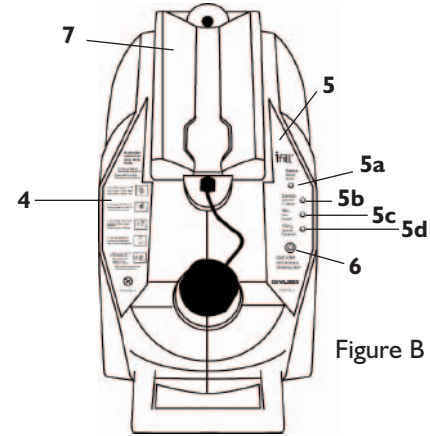


Figure B

ACCESSORY/REPLACEMENT PARTS

1. Intake Filter(s)
2. iFill Oxygen Cylinder w/Integrated PulseDose Regulator (US)

- 535D-605 (6 filters)
- PD1000A-M4
- PD1000A-M6
- PD1000A-ML6
- PD1000A-C
- PD1000A-D
- PD1000A-E
- PD1000A-CAN-M4
- PD1000A-CAN-M6
- PD1000A-CAN-ML6
- PD1000A-CAN-C
- PD1000A-CAN-D
- PD1000A-CAN-E

iFill Oxygen Cylinder w/Integrated PulseDose Regulator (CAN)

3. iFill Oxygen Cylinder w/Continuous Flow Regulator (US)

- 535D-M6-CF
- 535D-ML6-CF
- 535D-C-CF
- 535D-D-CF
- 535D-E-CF
- 535C-M6-CF
- 535C-ML6-CF
- 535C-C-CF
- 535C-D-CF
- 535C-E-CF

iFill Oxygen Cylinder w/Continuous Flow Regulator (CAN)

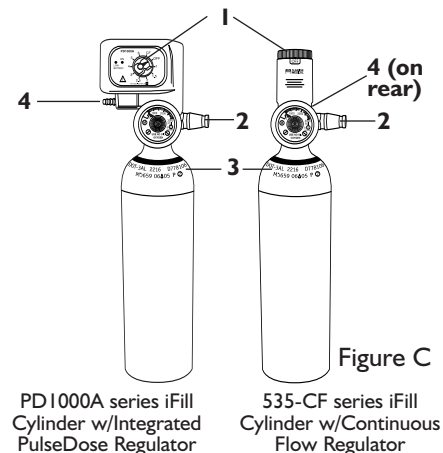


Figure C

SET-UP

NOTE– Before operating the DeVilbiss iFill Personal Oxygen Station for the first time, locate the device where desired.

CHOOSING A LOCATION

⚠ WARNING

The personal oxygen station should be at least six (6) inches away from walls, draperies, or furniture to ensure sufficient airflow.

Avoid placing the oxygen station next to heaters, radiators, or hot air registers. It should be kept at least 5 feet (1.6m) away from hot, sparking objects or naked sources of flame.

Do not use in a closet.

Do not use in an area where the air may be contaminated with carbon monoxide as this may shorten the life of the unit (i.e. near running gasoline engines, furnace, or heater).

TRANSPORTING THE DEVILBISS IFILL PERSONAL OXYGEN STATION

⚠ WARNING

NEVER transport the Personal Oxygen Station with a cylinder connected to or stored on it, otherwise injury or damage can occur.

CAUTION– When transporting the DeVilbiss iFill Personal Oxygen Station, be careful not to bump the unit or the connectors into obstacles. Otherwise damage to the oxygen station may occur.

There are three (3) methods to safely transport the DeVilbiss iFill Personal Oxygen Station (Figure 1):

1. Pull or push the unit on its casters using the front handle. Travel in a line oriented front to back to avoid tipping. Stop the unit to change direction.
2. Carry the unit using the front and rear handles simultaneously.
3. Carry the unit using the front handle and the recess located under the rear of the base.

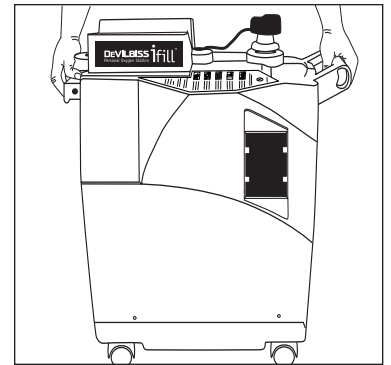


Figure 1

DEVILBISS IFILL PERSONAL OXYGEN STATION OPERATION CHECKLIST

NOTE– Each time the Oxygen Station is used to fill a cylinder, complete the following steps:

1. Check the Hydrostatic Test Date **Figure C, 3** - Aluminum cylinders must undergo testing every five (5) years. Contact your homecare provider or the cylinder manufacturer for details.

NOTE– Do not fill oxygen cylinders that have not been tested in the past five (5) years. Contact your Sunrise provider for replacement.

2. Perform the prefill inspection on the cylinder by following *iFill Oxygen Cylinder External Examination* below.

⚠ WARNING

ONLY use cylinders that have the DeVilbiss iFill Personal Oxygen Station fill connection.

All cylinders must be inspected before attempting to fill - otherwise, injury or damage may occur.

IFILL OXYGEN CYLINDER EXTERNAL EXAMINATION

1. Examine the outside of the cylinder for the following conditions, and replace the cylinder if they exist:
 - a) Dents or dings
 - b) Arc Burns
 - c) Oil or Grease
 - d) Any other signs of damage that might cause a cylinder to be unacceptable or unsafe for use.
2. Examine the cylinder for evidence of fire or thermal damage. Evidence includes charring or blistering of the paint, or other protective coating or heat sensitive indicator. If fire or thermal damage is found, replace the cylinder.

3. Inspect the oxygen fill connector for the following:
 - a) Debris, oil or grease
 - b) Noticeable signs of damage
 - c) Signs of corrosion inside the valve
 - d) Signs of excessive heat or fire damage
- Do not use oxygen cylinder if found, call your homecare provider.

OPERATION

CONNECTING THE IFILL OXYGEN CYLINDER TO THE DEVILBISS IFILL PERSONAL OXYGEN STATION

⚠ DANGER

Fire Hazard. Do not lubricate. Do not allow grease or oil from your hands or other source to come into contact with the regulator or cylinder valve connection. These solutions may be flammable and cause injury.

⚠ WARNING

Do not modify ANY connections on the personal oxygen station. NEVER use tools of any kind to connect/disconnect the cylinder and the oxygen station. Severe injury and/or damage may occur.

Do not drop oxygen cylinders. Use two (2) hands when handling/transporting oxygen cylinders. Otherwise, injury or damage may occur.

NOTE– Refer to the *GENERAL DANGERS & WARNINGS* and the *HANDLING WARNINGS* in this manual.

1. Plug the power cord into the wall outlet.
 2. Set the rotary selector on the cylinder to “OFF.”
 3. Remove the oxygen fill connector cover from the fill connector.
 4. Position the cylinder over the cradle while aligning the nipple connector on the oxygen cylinder with the fill connector. Press until cylinder “Clicks” into place (Figure 2).
- NOTE**– When using the smaller M4 or M6 size cylinders, it is necessary to place the oxygen fill connector cover/cylinder adapter in the cradle to help support the cylinder. When using the larger ML6, C, D, or E cylinders, the oxygen fill connector cover/cylinder adapter is not necessary and can be allowed to hang over the side.

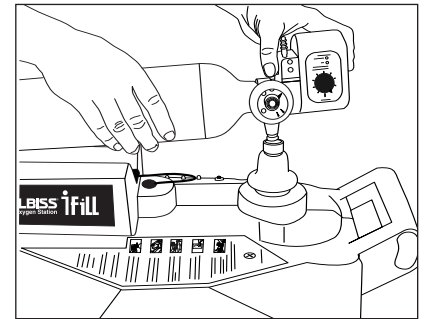


Figure 2

FILLING THE IFILL OXYGEN CYLINDER

NOTE– Refer to the *GENERAL DANGERS & WARNINGS* and the *HANDLING WARNINGS* in this manual.

1. Make sure the personal oxygen station is plugged in.
2. Make sure the cylinder is securely connected to the oxygen station. Refer to *Connecting The iFill Oxygen Cylinder To The DeVilbiss iFill Personal Oxygen Station*.
3. Push the start/stop switch on the control panel (Figure 3).
4. The following sequence of events should occur:
 - a. The FILLING (green) light will illuminate while the cylinder is filling (refer to *iFill Oxygen Cylinder Fill Times*).
 - b. The FULL (green) light will illuminate when the cylinder is full. Proceed to *Removing the iFill Oxygen Cylinder*.

NOTE– If the Service (RED) light and audible alert are on, proceed to *TROUBLESHOOTING* in this instruction manual.

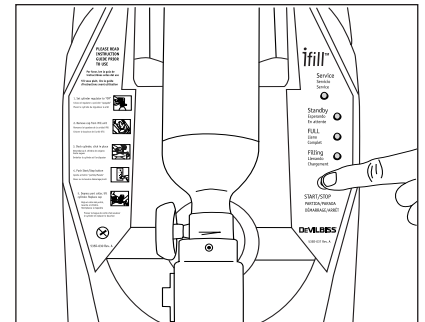


Figure 3

INDICATOR LIGHT EXPLANATION

INDICATOR LIGHT COLOR	OXYGEN STATION STATUS	EFFECT
None	Oxygen station is unplugged.	None
Standby (green)	Oxygen station is ready to begin filling cylinders.	Cylinder filling not started
Filling (green)	Oxygen station is on and cylinder is filling.	Cylinder is filling
Full (green)	Cylinder is full.	Remove cylinder.
Service (red) and Audible Alert	Oxygen station is on but cylinder is not filling due to internal failure.	Contact your Sunrise Medical Provider

REMOVING THE IFILL OXYGEN CYLINDER

⚠ WARNING

Do not modify any connections on the personal oxygen station. Never lubricate the connections. Never use tools of any kind to connect/disconnect the oxygen cylinder and the oxygen station. Otherwise, severe injury and/or damage may occur.

Use extreme care when handling and filling an oxygen cylinder. Full oxygen cylinders are under pressure and can become a projectile if dropped or mishandled.

NOTE– Refer to the *GENERAL DANGERS & WARNINGS* and the *HANDLING WARNINGS* in this manual.

1. Remove the full oxygen cylinder by pushing down on the fill port collar located under the cylinder nipple connector while using your other hand to steady the cylinder (Figure 4).
2. Lift up on the cylinder to remove from the oxygen fill connector. The green Standby light will turn on after a short delay.
3. **Oxygen will escape from the fill connector for a short time after the cylinder has been removed. This may be accompanied by a “pop” with a rush of air. This is normal.**
4. Perform one (1) of the following steps:
 - A. If desired, fill another oxygen cylinder. Refer to the *DeVilbiss iFill Personal Oxygen Station Operation Checklist*.
 - B. Place the oxygen fill connector cover onto the fill connector.

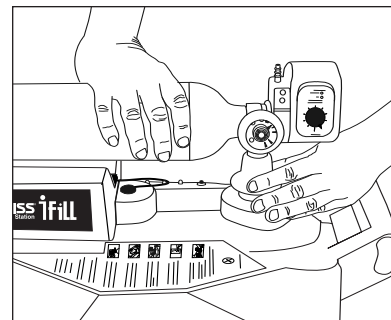


Figure 4

NOTE– The oxygen fill connector cover should always be used whenever cylinders are not being filled.

SETTING THE IFILL OXYGEN CYLINDER ROTARY SELECTOR TO THE PRESCRIBED SETTING

1. Attach the nasal cannula to the cannula fitting of the iFill oxygen cylinder.
2. Turn the rotary selector to the L/min. setting prescribed by your physician.

⚠ WARNING

Changing the L/min. setting on the rotary selector will affect the dose of oxygen delivered, DO NOT readjust the L/min. setting unless directed by your physician.

3. To turn the flow of oxygen off, turn the rotary selector counterclockwise to the “OFF” position.

TROUBLESHOOTING

The following troubleshooting chart will help you analyze and correct minor system malfunctions. If the suggested procedures do not help, call your Sunrise Medical/DeVilbiss homecare provider. Do not attempt any other maintenance.

⚠ WARNING

To avoid electric shock hazard, do not remove the cabinet. The cabinet should only be removed by a qualified Sunrise Medical/DeVilbiss homecare technician.

DEVILBISS IFILL PERSONAL OXYGEN STATION

PROBLEM	SOLUTION
No indicator lights on.	1. Check that the personal oxygen station power cord is properly plugged into the wall outlet. Ensure the circuit breaker near the power cord entry is pressed in. If there are still no indicator lights, contact your Sunrise Medical/DeVilbiss provider.
Red light on.	1. Ensure the iFill oxygen cylinder is connected correctly. 2. Press the start/stop switch. If the Red light remains on, contact your Sunrise Medical/DeVilbiss provider for service. 3. If the Red light turns on during the filling process, check that the cylinder is connected properly. Remove the cylinder and reinstall. Ensure the cylinder rotary selector is in the OFF position. Press the start/stop switch to turn off the Red light and then again to restart the cylinder filling process. If the Red light turns on again during the filling process, contact your Sunrise Medical/DeVilbiss provider for service.
Excessive fill times OR Green filling light stays on.	1. Ensure the iFill oxygen cylinder rotary selector is set to OFF. 2. Check the fill times shown in <i>Typical Oxygen Cylinder Fill Times</i> chart. 3. Check that the cylinder is connected properly: Press the start/stop switch to return to Standby. Remove the cylinder and reinstall. Press the start/stop switch to begin filling the cylinder. 4. If problem persists, contact your Sunrise Medical/DeVilbiss provider for service.

IFILL OXYGEN CYLINDER/REGULATOR

PROBLEM	SOLUTION
Hissing sound from iFill oxygen cylinder	<ol style="list-style-type: none"> 1. Turn rotary selector OFF. 2. If hissing sound continues, call your Sunrise Medical/DeVilbiss provider.
iFill oxygen cylinder is on but oxygen is not being delivered.	<ol style="list-style-type: none"> 1. Refill cylinder. 2. Check that cannula is straight and not pinched. If damaged, replace. 3. Call your Sunrise Medical/DeVilbiss provider for service.

TYPICAL QUESTIONS AND ANSWERS

- Q.** *Why does my iFill make a “pop” sound when I remove the cylinder?*
- A.** The “pop” sound is pressure being released from the system to make the next cylinder easier to install.
- Q.** *Why is the coupler only to be cleaned with a clean, dry, lint-free cloth and only when necessary?*
- A.** Cleaning solutions may be flammable and/or may contaminate the cylinder.
- Q.** *Why can't I use my old cylinders with the iFill?*
- A.** The iFill has a proprietary connection as required by the FDA and, therefore, other cylinders are not compatible.

CLEANING/MAINTENANCE**DEVILBISS IFILL PERSONAL OXYGEN STATION FILTER**

CAUTION – *Do not operate the personal oxygen station without the filters installed.*

NOTE– *The DeVilbiss iFill Personal Oxygen Station has two (2) filters, one on each side of the cabinet (FIGURE A).*

NOTE– *Perform this procedure at least ONCE A WEEK.*

1. Unplug the personal oxygen station from the wall outlet.
2. Remove the filters.
3. Clean the filters with a vacuum cleaner or wash in warm soapy water and rinse thoroughly.
4. Dry the filters thoroughly before reinstallation.

EXTERIOR CABINET** WARNING**

Electric Shock Hazard: Unplug the DeVilbiss iFill Personal Oxygen Station when cleaning. Do not remove the oxygen station cabinet. The cabinet should only be removed by a qualified Sunrise Medical/DeVilbiss technician. Do not apply liquid directly to the cabinet nor utilize any petroleum-based solvents or cleaning agents.

1. Clean the exterior cabinet by using a damp cloth or sponge with a mild household cleaner and wipe it dry.
2. Only if necessary, wipe the coupler with a clean, dry, lint-free cloth.

SPECIFICATIONS

DEVILBISS IFILL PERSONAL OXYGEN STATION

Operating Temperature:41° to 95°F (5° to 35°C)
 Operating Humidity Range:15 to 95% R.H. non-condensing
 Operating Altitude:0 to 6,562 Feet (0 to 2,000 Meters)
 Storage Temperature Range:-40°F to +158°F (-40°C to +70°C)
 Storage Humidity Range:10 to 95% non-condensing
 Electrical Rating:115V~ 60Hz 4.1 Amps
 Operating Voltage Range:97 – 127V~ 60HZ
 Power Range:400 Watts Average
 Oxygen Purity:93% O2 ± 3%
 Dimensions: (including casters) w/o cylinder12.25"W x 28.5"H x 22.5"D
 Weight:66 lbs
 Shipping Weight:76 lbs
 This unit is classified as nonprotected (ordinary equipment) per EN60601-1IPX0

Specifications subject to change without notice.

IFILL OXYGEN CYLINDER TYPICAL FILL TIMES

NOTE- All filling times are approximate and may vary depending on altitude and environmental conditions.

Typical cylinder fill time from empty to 2,000 +/- 200 psig are as follows:

- M4 60 Minutes
- M6 75 Minutes
- ML6 90 Minutes
- C 130 Minutes
- D 215 Minutes
- E 350 Minutes

NOTE- Degradation of performance may occur if unit is operated outside of specified operating parameters.

SIMBOLOS IEC Atención, consulte la guía de instrucciones Parte aplicada Tipo BF Corriente CA Doble aislamiento Riesgo de choque eléctrico. No lo abra. Peligro-No fumar**PRECAUCIONES IMPORTANTES**

Observe siempre las precauciones de seguridad básicas cuando utilice aparatos eléctricos, especialmente en presencia de niños. Antes de usar lea todas las instrucciones. La información importante se resalta utilizando estos términos:

PELIGRO Información de seguridad urgente para situaciones peligrosas que pueden provocar lesiones graves o incluso la muerte.

ADVERTENCIA Información de seguridad importante para situaciones peligrosas que pueden provocar lesiones graves.

PRECAUCIÓN Información para evitar daños al producto.

NOTA Información a la cual debe prestar especial atención.

Las precauciones importantes se indican en toda la guía; preste una atención especial a toda la información de seguridad.

LEA TODAS LAS INSTRUCCIONES ANTES DE UTILIZAR ESTE EQUIPO.

GUARDE ESTAS INSTRUCCIONES.**PELIGROS Y ADVERTENCIAS GENERALES**

Para asegurar una instalación, ensamblado y funcionamiento seguro de la estación de oxígeno personal, DEBE seguir estas instrucciones:

PELIGRO – NO FUMAR **▲ PELIGRO**

- **PELIGRO**–Riesgo de choque eléctrico. No lo desarme. La estación de oxígeno personal iFill DeVilbiss no contiene piezas a las cuales el usuario pueda dar servicio. Si requiere mantenimiento, comuníquese con el distribuidor Sunrise Medical o con un centro de servicio autorizado.
- **PELIGRO**–Riesgo de incendio. No lo lubrique. No permita que la grasa o el aceite de sus manos o de otro origen se pongan en contacto con el regulador o la conexión de la válvula del cilindro. Estas soluciones pueden ser inflamables y pueden provocar lesiones.
- **PELIGRO**–Mantenga la estación de oxígeno personal a una distancia por lo menos de 5 pies (1.6 m) de objetos calientes o que despidan chispas ni cerca de llamas. Coloque la unidad a una distancia por lo menos de 6 pulg. (16 cm) de las paredes, cortinas o cualquier otro objeto que pudiera evitar el flujo de aire hacia dentro y fuera de la estación de oxígeno. La estación de oxígeno debe ubicarse de tal manera que evite los contaminantes del aire o humos.
- **PELIGRO**–El oxígeno puede provocar quemaduras rápidamente. No fume mientras la estación de oxígeno personal está funcionando o cuando se encuentre cerca de una persona que utiliza terapia de oxígeno. Mantenga la estación de oxígeno a una distancia por lo menos de 5 pies (1.6 m) de objetos calientes o que despidan chispas ni cerca de llamas.
- **PELIGRO**–No coloque la cánula hacia abajo mientras el cilindro está administrando oxígeno. Las altas concentraciones de oxígeno pueden provocar quemaduras rápidamente.

▲ ADVERTENCIA

- No instale, ensamble o haga funcionar este equipo sin antes leer y entender este manual de instrucciones y la etiqueta de advertencia del cilindro de oxígeno. Si no entiende las advertencias, precauciones e instrucciones,

comuníquese con su proveedor o personal técnico, si es necesario, antes de intentar instalar o usar este equipo ya que podrían provocarse lesiones o daños.

- El uso de este dispositivo se limita a un paciente que requiere oxígeno. Los cilindros **DEBEN** ser usados **ÚNICAMENTE** por un paciente que requiere oxígeno y no deben ser distribuidos a ninguna otra persona por ningún propósito.
- No use piezas, accesorios o adaptadores diferentes a aquellos autorizados por Sunrise Medical.
- **NUNCA** bloquee las aberturas de aire del producto ni lo ponga en una superficie blanda, como una cama o sofá, donde se puedan bloquear las entradas de aire. Mantenga los orificios limpios de pelusa, cabellos o cosas similares.
- Si la estación de oxígeno tiene un cable eléctrico o enchufe dañados, si no funciona apropiadamente, si se ha caído o dañado o si ha sido sumergida en agua, no la use y llame a un técnico calificado para que la examine y repare.
- Si se detecta alguna fuga del cilindro de oxígeno, no intente usarlo. Gire el selector rotatorio del regulador a la posición de apagado “OFF”. Si la fuga persiste, coloque el cilindro en exteriores e informe a su proveedor de cuidados médicos en el hogar o representante de servicio acerca de esta situación.
- La estación de oxígeno personal está equipada con una válvula de descarga de alta presión para garantizar la seguridad del usuario. Cuando se active, este dispositivo de seguridad emitirá un sonido extremadamente fuerte. Si escucha este sonido, apague la unidad y comuníquese con su proveedor de cuidados médicos en el hogar o representante de servicio.
- Antes de mover o volver a colocar la estación de oxígeno personal, desconecte antes el cable de corriente CA. No hacerlo puede provocar daños a la unidad o lesiones personales.
- Los niños siempre deberán estar supervisados por un adulto cuando se encuentren cerca de la estación de oxígeno personal. No hacerlo puede provocar daños a la unidad o lesiones personales.
- El uso inapropiado del cable eléctrico y enchufes puede provocar quemaduras, incendio u otros riesgos de choque eléctrico. No use la unidad si el cable eléctrico está dañado.
- Por su propia seguridad, el cilindro de oxígeno debe usarse de acuerdo a las indicaciones de su médico.
- En ciertas circunstancias, la terapia con oxígeno puede ser peligrosa. Se aconseja consultar a un médico antes de usar oxígeno.

⚠ ADVERTENCIA – ADVERTENCIAS DE MANIPULACIÓN

- Tenga un cuidado extremo cuando manipule y llene un cilindro de oxígeno. Los cilindros llenos de oxígeno se encuentran a presión y pueden convertirse en un proyectil si se dejan caer o maltratan.
- Nunca transporte la estación de oxígeno con un cilindro conectado a ella. Pueden ocurrir lesiones o daños.

PRECAUCIONES Y NOTAS

PRECAUCIÓN—La ley federal restringe la venta de este aparato, el cual sólo puede ser vendido por un médico o con la prescripción de éste.

NOTA—No conecte la unidad a un tomacorriente controlado por un interruptor de pared. No deben conectarse otros aparatos al tomacorriente.

NOTA—El enchufe de la estación de oxígeno personal iFill DeVilbiss tiene una clavija más ancha que la otra. Para disminuir el riesgo de choque eléctrico, este enchufe tiene el propósito de entrar en el tomacorriente de una sola manera. No intente alterar esta medida de seguridad.

NOTA—Sunrise Medical recomienda dejar un cilindro lleno de oxígeno con el paciente **DESPUÉS** de instalar la estación de oxígeno personal.

LISTA DE VERIFICACIÓN DEL PROVEEDOR

Antes de dejar una estación de oxígeno personal iFill DeVilbiss con un usuario, **DEBE** completarse la siguiente lista de verificación:

1. Revise todas las partes en busca de daños durante el transporte. En caso de encontrar daños, no la use. Comuníquese con Sunrise Medical para recibir indicaciones.
2. Verifique que la prueba hidrostática del cilindro esté vigente y no haya vencido.
3. Enseñe al usuario el funcionamiento seguro de la estación de oxígeno personal y revise **TODAS** las advertencias.
4. Deje una copia de esta guía de instrucciones con el usuario.

NOTA—Sunrise Medical recomienda dejar un cilindro lleno de oxígeno con el paciente **DESPUÉS** de instalar la estación de oxígeno personal e indicar al paciente que siempre debe tener un cilindro lleno a la mano.

INTRODUCCIÓN

Esta guía de instrucciones le servirá para familiarizarse con la estación de oxígeno personal iFill DeVilbiss. Asegúrese de leer y entender esta guía de instrucciones antes de hacer funcionar su estación de oxígeno. Las precauciones importantes se indican en toda la guía; preste una atención especial a toda la información de seguridad. Si tiene preguntas, comuníquese con el proveedor del equipo Sunrise Medical / DeVilbiss. **NOTA**– Todas las referencias del cilindro en toda esta guía representan un cilindro de oxígeno.

USO INDICADO

El sistema de llenado de cilindros de oxígeno Modelo 535D está diseñado para suministrar oxígeno presurizado para llenar cilindros de oxígeno para el uso de pacientes ambulatorios. Este aparato está diseñado para proporcionar 93% ($\pm 3\%$) de oxígeno. Este aparato puede ser usado en casas, asilos, instituciones de cuidados de pacientes, etc.

PARTES IMPORTANTES

ESTACIÓN DE OXÍGENO PERSONAL IFILL DEVILBISS (FIGURAS A Y B)

1. Conector de llenado de oxígeno (referido como conector de llenado en toda la guía)
2. Tapa del conector de llenado de oxígeno / adaptador del cilindro (referido como tapa del conector de llenado y/o adaptador del cilindro en toda la guía)
3. Collarín del puerto de llenado de oxígeno (referido como collarín del puerto de llenado en toda la guía)
4. Etiqueta de instrucciones
5. Etiqueta del panel indicador
 - a. LED (rojo) "servicio requerido"
 - b. LED (verde) "llenando"
 - c. Luz (verde) "lleno"
 - d. Luz (verde) "en espera"
6. Interruptor de arranque / parada
7. Soporte
8. Cortacorrientes
9. Asa delantera
10. Asa trasera
11. Hueco del asa de transporte
12. Filtro(s) de entrada (2 – uno en cada lado)
13. Medidor de horas – detrás del filtro en el lado de la etiqueta del panel indicador (lado derecho)

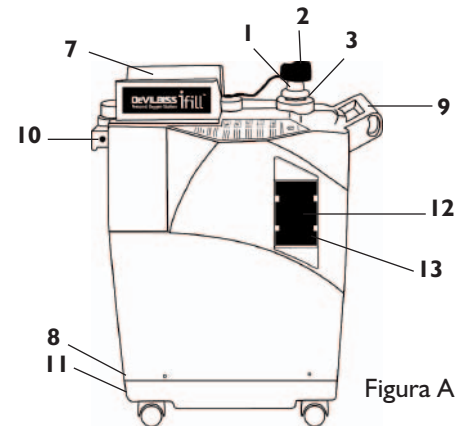


Figura A

CILINDRO DE OXÍGENO Y REGULADOR IFILL (FIGURA C)

1. Selector rotatorio
2. Conector de nipple
3. Fecha de prueba hidrostática - Comuníquese con su proveedor de cuidados médicos en el hogar o con el fabricante del cilindro para saber más detalles.
4. Adaptador de cánula

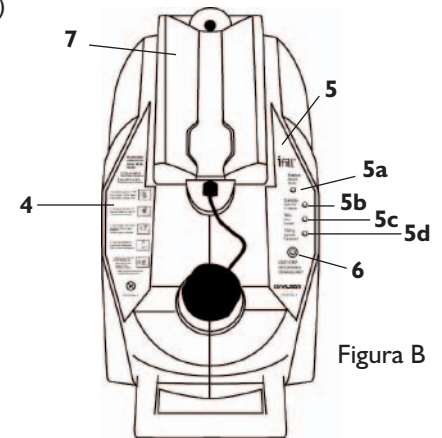


Figura B

ACCESORIOS / PIEZAS DE REPUESTO

1. Filtro(s) de entrada 535D-605 (6 filtros)
2. Cilindro de oxígeno con regulador PulseDose integrado iFill (EE.UU.) PD1000A-M4

PD1000A-M6
 PD1000A-ML6
 PD1000A-C
 PD1000A-D
 PD1000A-E
 Cilindro de oxígeno con regulador PulseDose integrado iFill (Canada) PD1000A-CAN-M4
 PD1000A-CAN-M6
 PD1000A-CAN-ML6
 PD1000A-CAN-C
 PD1000A-CAN-D
 PD1000A-CAN-E

3. Cilindro de oxígeno con regulador de flujo continuo iFill

535D-M6-CF
 535D-ML6-CF
 535D-C-CF
 535D-D-CF
 535D-E-CF
 Cilindro de oxígeno con regulador de flujo continuo iFill (Canada) 535C-M6-CF
 535C-ML6-CF
 535C-C-CF
 535C-D-CF
 535C-E-CF

Cilindro de oxígeno con regulador de flujo continuo iFill (Canada)

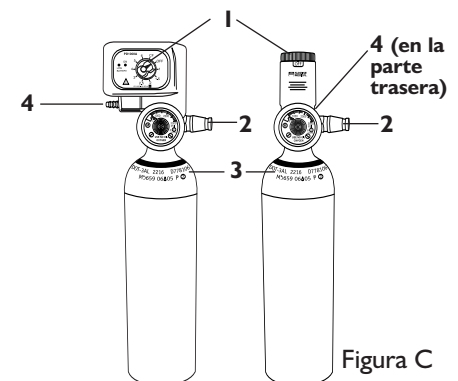


Figura C

Cilindro con regulador PulseDose integrado iFill serie PD1000A

Cilindro con regulador de flujo continuo iFill serie 535-CF

PREPARACIÓN

NOTA– Antes de hacer funcionar la estación de oxígeno personal iFill DeVilbiss por primera vez, ubique el aparato en el lugar deseado.

ELECCIÓN DEL LUGAR

⚠ ADVERTENCIA

La estación de oxígeno personal debe estar a una distancia por lo menos de seis (6) pulgadas (16 cm) de las paredes, cortinas o muebles para garantizar un flujo de aire suficiente.

Evite colocar la estación de oxígeno cerca de calentadores, radiadores o rejillas de salida de aire caliente. Debe mantenerse a una distancia por lo menos de 5 pies (1.6 m) de objetos calientes o que despidan chispas ni cerca de llamas.

No la use dentro de un closet.

No la use en un área en donde el aire pudiera estar contaminado con monóxido de carbono, ya que puede acortar la vida útil de la unidad (por ejemplo, cerca de motores que funcionan con gasolina, hornos o calentadores).

TRANSPORTE DE LA ESTACIÓN DE OXÍGENO PERSONAL IFILL DEVILBISS

⚠ ADVERTENCIA

NUNCA transporte la estación de oxígeno personal con un cilindro conectado a ella o guardado sobre ella, ya que pueden ocurrir lesiones o daños.

PRECAUCIÓN– Cuando transporte la estación de oxígeno personal iFill DeVilbiss tenga cuidado de no golpear la unidad o los conectores con obstáculos en el camino. De lo contrario, puede provocar daños a la estación de oxígeno.

Hay tres (3) métodos para transportar la estación de oxígeno personal iFill DeVilbiss de manera segura (Figura 1):

1. Jale o empuje la unidad con sus ruedas pivotantes usando el asa delantera. Avance en una línea recta orientada desde el frente a la parte posterior para evitar que se vuelque. Detenga la unidad para cambiar de dirección.
2. Cargue la unidad usando las asas delantera y trasera simultáneamente.
3. Cargue la unidad usando el asa delantera y el hueco ubicado debajo de la parte trasera de la base.

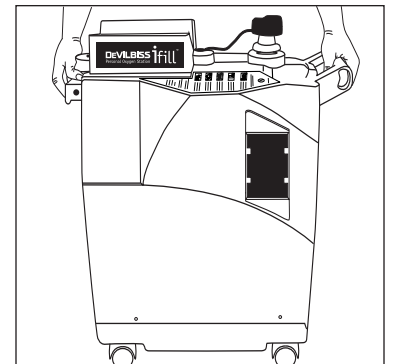


Figura 1

LISTA DE VERIFICACIÓN DE FUNCIONAMIENTO DE LA ESTACIÓN DE OXÍGENO PERSONAL IFILL DEVILBISS

NOTA– Cada vez que la estación de oxígeno se use para llenar un cilindro, siga todos los pasos siguientes:

1. Verifique la fecha de la prueba hidrostática, **Figura C, 3** – Los cilindros de aluminio deben someterse a pruebas cada cinco (5) años. Comuníquese con su proveedor de cuidados médicos en el hogar o con el fabricante del cilindro para conocer los detalles.

NOTA– No llene los cilindros que no han sido sometidos a pruebas en los últimos cinco (5) años. Comuníquese con su proveedor Sunrise para que sean reemplazados.

2. Realice la inspección antes del llenado del cilindro siguiendo el examen externo del cilindro de oxígeno iFill descrito a continuación.

⚠ ADVERTENCIA

Use **SÓLO** los cilindros que tienen el conector de llenado de la estación de oxígeno personal iFill DeVilbiss.

Todos los cilindros deben ser inspeccionados antes de intentar llenarlos – de lo contrario, pueden ocurrir lesiones o daños.

EXAMEN EXTERNO DEL CILINDRO DE OXÍGENO IFILL

1. Examine el exterior del cilindro en busca de las condiciones siguientes y reemplace el cilindro si existen:
 - a) Abolladuras o golpes
 - b) Quemaduras por arco eléctrico

- c) Aceite o grasa
 - d) Cualquier otro signo de daño que pudiera calificar a un cilindro como inaceptable o inseguro para su uso.
2. Examine el cilindro en busca de evidencia de incendio o daño térmico. Las evidencias incluyen carbonizado o ampollamiento de la pintura o de otro revestimiento protector o indicador de sensibilidad al calor. Si se encuentra algún daño térmico o por incendio, reemplace el cilindro.
 3. Inspeccione el conector de llenado buscando lo siguiente:
 - a) Residuos, aceite o grasa
 - b) Signos notorios de daño
 - c) Signos de corrosión dentro de la válvula
 - d) Signos de daño por calor excesivo o incendio
 llame a su proveedor de cuidados médicos en el hogar si encuentra alguna de las condiciones siguientes

FUNCIONAMIENTO

CONEXIÓN DEL CILINDRO DE OXÍGENO IFILL A LA ESTACIÓN DE OXÍGENO PERSONAL IFILL DEVILBISS

⚠ PELIGRO

Riesgo de incendio. No lo lubrique. No permita que la grasa o el aceite de sus manos o de otro origen se pongan en contacto con el regulador o la conexión de la válvula del cilindro. Estas soluciones pueden ser inflamables y pueden provocar lesiones.

⚠ ADVERTENCIA

No modifique NINGUNA de las conexiones de la estación de oxígeno personal. NUNCA use ningún tipo de herramienta para conectar / desconectar el cilindro y la estación de oxígeno. Pueden ocurrir lesiones y/o daños.

No deje caer los cilindros de oxígeno. Use las dos (2) manos cuando manipule / transporte cilindros de oxígeno. De lo contrario, pueden ocurrir lesiones o daños.

NOTA– Consulte los peligros generales y advertencias, y las advertencias de manipulación de este manual.

1. Enchufe el cable eléctrico en el tomacorriente.
2. Gire el selector rotatorio del cilindro a la posición de apagado “OFF”.
3. Retire la tapa del conector de llenado.
4. Coloque el cilindro sobre el soporte al tiempo que alinea el conector de niple del cilindro con el conector de llenado. Oprima el cilindro hasta que escuche un chasquido, señal de que se ha asentado (Figura 2). **NOTA**- Cuando utilice los cilindros de menor tamaño M4 o M6, es necesario colocar la tapa del conector de llenado / adaptador del cilindro en el soporte para ayudar a sostener el cilindro. Cuando utilice los cilindros más grandes ML6, C, D o E, no es necesario usar la tapa del conector de llenado / adaptador del cilindro y puede dejarse colgar sobre un lado.

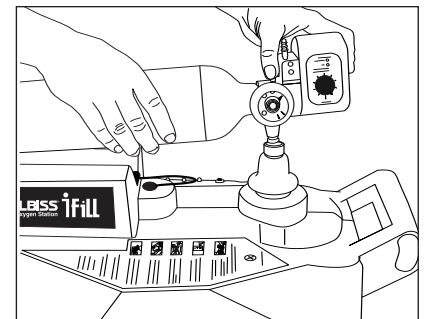


Figura 2

LLENADO DEL CILINDRO DE OXÍGENO IFILL

NOTA– Consulte los peligros generales y advertencias, y las advertencias de manipulación de este manual.

1. Verifique que la estación de oxígeno personal esté conectada.
2. Verifique que el cilindro esté conectado de manera segura a la estación de oxígeno. Consulte la sección Conexión del cilindro de oxígeno iFill a la estación de oxígeno personal iFill DeVilbiss.
3. Oprima el interruptor de arranque / parada del panel de control (Figura 3).
4. Debe ocurrir la secuencia de eventos siguiente:
 - a. Se ilumina la luz (verde) “LLENANDO” mientras se llena el cilindro (consulte la tabla Tiempos de llenado del cilindro de oxígeno iFill).
 - b. Cuando el cilindro está lleno, se ilumina la luz (verde) “LLENO”. Proceda a retirar el cilindro de oxígeno iFill.

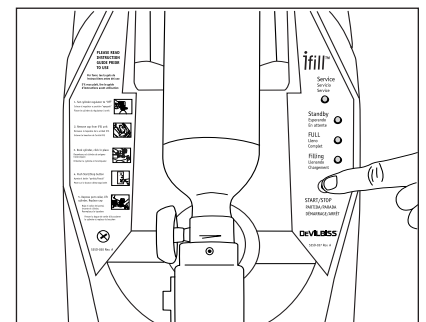


Figura 3

NOTA– Si se enciende la luz (ROJA) “servicio requerido” y se escucha una alerta audible, proceda a la sección Guía de detección y solución de problemas de este manual de instrucciones.

EXPLICACIÓN DE LAS LUCES

COLOR DE LA LUZ INDICADORA	ESTADO DE LA ESTACIÓN DE OXÍGENO	EFECTO
Ninguno	La estación de oxígeno está desconectada.	Ninguno
En espera (verde)	La estación de oxígeno está lista para comenzar a llenar cilindros.	No ha iniciado el llenado de cilindros
Llenando (verde)	La estación de oxígeno está encendida y el cilindro se está llenando.	El cilindro se está llenando
Lleno (verde)	El cilindro está lleno.	Retire el cilindro.
Requiere servicio (rojo) y alerta audible	La estación de oxígeno está encendida pero el cilindro no se está llenando debido a una falla interna.	Comuníquese con su proveedor de Sunrise Medical.

REMOCIÓN DEL CILINDRO DE OXÍGENO IFILL

⚠ ADVERTENCIA

No modifique ninguna de las conexiones de la estación de oxígeno personal. Nunca debe lubricar las conexiones. Nunca use ningún tipo de herramienta para conectar / desconectar el cilindro y la estación de oxígeno. De lo contrario, pueden ocurrir lesiones severas y/o daños.

Tenga un cuidado extremo cuando manipule y llene un cilindro de oxígeno. Los cilindros llenos de oxígeno se encuentran a presión y pueden convertirse en un proyectil si se dejan caer o maltratan.

NOTA– Consulte los peligros generales y advertencias, y las advertencias de manipulación de este manual.

1. Retire el cilindro de oxígeno lleno empujando hacia abajo el collarín del puerto de llenado ubicado debajo del conector de niple del cilindro mientras usa la otra mano para sujetar el cilindro (Figura 4).
2. Levante el cilindro para retirarlo del conector de llenado. La luz verde “en espera” se encenderá después de una breve demora.
3. **El oxígeno escapará por el conector de llenado durante un período corto después de retirar el cilindro. Puede ir acompañado de un estallido muy ligero con una ráfaga de aire. Esto es algo normal.**
4. Efectúe uno (1) de los siguientes pasos:
 - A. Si lo desea, llene otro cilindro. Consulte la lista de verificación de funcionamiento de la estación de oxígeno personal iFill DeVilbiss.
 - B. Coloque la tapa del conector de llenado.

NOTA– Siempre deberá usar la tapa del conector de llenado cuando los cilindros no se estén llenando.

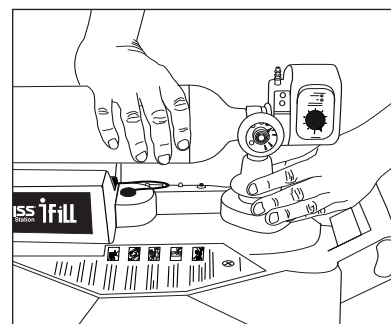


Figura 4

AJUSTE DEL SELECTOR ROTATORIO DEL CILINDRO DE OXÍGENO IFILL EN EL PARÁMETRO PRESCRITO

1. Coloque la cánula nasal en el adaptador de cánula del cilindro de oxígeno iFill.
2. Gire el selector rotatorio hasta ponerlo en el parámetro de litros por minuto prescrito por su médico.

⚠ ADVERTENCIA

Cambiar el parámetro de litros por minuto del selector rotatorio afectará la dosis de oxígeno que se administra, NO vuelva a ajustar el parámetro de litros por minuto a menos que así se lo indique el médico.

3. Para apagar el flujo de oxígeno, gire el selector rotatorio en sentido antihorario hasta la posición de apagado “OFF”.

SOLUCIÓN DE PROBLEMAS

La siguiente tabla de solución de problemas le ayudará a analizar y corregir las fallas pequeñas de funcionamiento del sistema. Si los procedimientos sugeridos no son útiles, llame a su proveedor de cuidados médicos en el hogar Sunrise Medical / DeVilbiss. No intente realizar otras tareas de mantenimiento.

⚠ ADVERTENCIA

Para evitar el riesgo de choque eléctrico, no retire el gabinete. El gabinete sólo puede ser retirado por un técnico calificado en cuidados médicos en el hogar de Sunrise Medical / DeVilbiss.

ESTACIÓN DE OXÍGENO PERSONAL IFILL DEVILBISS

PROBLEMA	SOLUCIÓN
No hay luces indicadoras encendidas.	1. Verifique que el cable eléctrico de la estación de oxígeno personal esté enchufado de manera correcta en el tomacorriente. Verifique que el tomacorriente cerca de la entrada del cable eléctrico esté oprimido. Si aun así no se encienden las luces indicadoras, comuníquese con su proveedor Sunrise Medical / DeVilbiss.
Luz roja encendida.	1. Verifique que el cilindro de oxígeno iFill esté conectado correctamente. 2. Oprima el interruptor de arranque / parada. Si la luz roja permanece encendida, comuníquese con su proveedor Sunrise Medical / DeVilbiss para que le den mantenimiento. 3. Si la luz roja se enciende durante el proceso de llenado, verifique que el cilindro esté conectado de manera correcta. Retire el cilindro y vuelva a instalarlo. Verifique que el selector rotatorio del cilindro esté en la posición de apagado "OFF". Oprima el interruptor de arranque / parada para apagar la luz roja y luego oprima nuevamente para volver a empezar el proceso de llenado del cilindro. Si la luz roja vuelve a encenderse durante el proceso de llenado, comuníquese con su proveedor Sunrise Medical / DeVilbiss para que le den mantenimiento.
Tiempo excesivo de llenado O la luz verde de llenado permanece encendida.	1. Verifique que el selector rotatorio del cilindro de oxígeno iFill esté en la posición "OFF". 2. Revise los tiempos de llenado mostrados en la tabla de tiempos típicos de llenado del cilindro de oxígeno. 3. Verifique que el cilindro esté conectado de manera apropiada: Oprima el interruptor de arranque / parada para volver al funcionamiento en espera. Retire el cilindro y vuelva a instalarlo. Oprima el interruptor arranque / parada para comenzar a llenar el cilindro. 4. Si el problema persiste, comuníquese con su proveedor Sunrise Medical / DeVilbiss para que le den mantenimiento.

CILINDRO DE OXÍGENO / REGULADOR IFILL

PROBLEMA	SOLUCIÓN
El cilindro de oxígeno iFill emite un silbido.	1. Gire el selector rotatorio a la posición de apagado "OFF". 2. Si continúa el silbido, llame a su proveedor Sunrise Medical / DeVilbiss.
El cilindro de oxígeno iFill está encendido pero no está administrando oxígeno.	1. Vuelva a llenar el cilindro. 2. Verifique que la cánula esté recta y no esté prensada. Si está dañada, reemplácela. 3. Llame a su proveedor Sunrise Medical / DeVilbiss para que le den mantenimiento.

PREGUNTAS COMUNES Y SUS RESPUESTAS

- P** ¿Por qué hace mi iFill un sonido de estallido muy ligero cuando retiro el cilindro?
- R. El sonido de estallido muy ligero se debe a la presión que sale del sistema para facilitar la instalación del siguiente cilindro.
- P** ¿Por qué se debe limpiar el acoplador únicamente con un paño limpio, seco, sin pelusa y sólo cuando es necesario?
- R. Las soluciones limpiadoras pueden ser inflamables y/o pueden contaminar el cilindro.
- P** ¿Por qué no puedo usar los cilindros antiguos con el iFill?
- R. El iFill tiene una conexión patentada requerida por la FDA y por lo mismo otros cilindros no son compatibles.

LIMPIEZA / MANTENIMIENTO

FILTRO DE LA ESTACIÓN DE OXÍGENO PERSONAL IFILL DEVILBISS

PRECAUCIÓN– No haga funcionar la estación de oxígeno personal sin tener los filtros instalados.

NOTA– La estación de oxígeno personal iFill DeVilbiss tiene dos (2) filtros, uno a cada lado del gabinete (FIGURA A).

NOTA– Realice este procedimiento al menos UNA VEZ A LA SEMANA.

1. Desenchufe la estación de oxígeno personal del tomacorriente.
2. Retire los filtros.
3. Limpie los filtros con una aspiradora o lávelos con agua jabonosa tibia y enjuague abundantemente.
4. Deje secar los filtros completamente antes de volverlos a instalar.

GABINETE EXTERNO

⚠ ADVERTENCIA

Riesgo de choque eléctrico: Desenchufe la estación de oxígeno personal iFill DeVilbiss cuando la limpie. No retire el gabinete de la estación de oxígeno. El gabinete sólo puede ser retirado por un técnico calificado de Sunrise Medical / DeVilbiss. No aplique ningún líquido directamente al gabinete ni utilice ninguna solución a base de solventes derivados del petróleo o agentes limpiadores.

1. Limpie el gabinete exterior usando una esponja o paño húmedos con un limpiador doméstico ligero y seque.
2. Sólo en caso de ser necesario, limpie el acoplador con un paño limpio, seco y sin pelusa.

ESPECIFICACIONES

ESTACIÓN DE OXÍGENO PERSONAL IFILL DEVILBISS

Temperatura de funcionamiento:	5° a 35° C (41° a 95° F)
Rango de humedad de funcionamiento:	15 a 95% H.R. sin condensación
Altitud de funcionamiento:	0 a 2,000 metros (0 a 6,562 pies)
Rango de temperatura de almacenamiento:	-40° C a +70° C (-40° F a +158° F)
Rango de humedad de almacenamiento:	10 a 95%, sin condensación
Requisitos eléctricos:	115V~ 60Hz 4.1 Amps
Rango de voltaje de funcionamiento:	97 – 127V~ 60 HZ
Rango de alimentación:	400 vatios en promedio
Pureza del oxígeno:	93% de O2 ± 3%
Dimensiones: (incluyendo ruedas pivotantes) sin el cilindro	31.1 cm An. x 72.3 cm Alt. x 57.1 cm Prof. (12.25" x 28.5" x 22.5")
Peso:	30 Kg. (66 lbs.)
Peso de envío:	34.5 Kg. (76 lbs.)
Esta unidad está clasificada como no protegida (equipo ordinario) según EN60601-1	IPX0

Especificaciones sujetas a cambio sin previo aviso.

TIEMPOS TÍPICOS DE LLENADO DEL CILINDRO DE OXÍGENO IFILL







NOTA- Todos los tiempos de llenado son aproximados y pueden variar dependiendo de la altitud y las condiciones medioambientales.

Los tiempos típicos de llenado del cilindro desde vacío a 2,000 +/- 200 psig son los siguientes:

M4	60 Minutos
M6	75 Minutos
ML6	90 Minutos
C	130 Minutos
D	215 Minutos
E	350 Minutos

NOTA- Puede ocurrir degradación del rendimiento si la unidad se opera fuera de los parámetros de funcionamiento especificados.

SYMBOLES CEI

- | | | | |
|---|--|---|---------------------------------|
|  | Atención, consulte la guía de instrucciones |  | Equipo Tipo BF - Parte aplicada |
|  | Courant alternatif |  | Doblemente aislado |
|  | Risque de décharge électrique. Ne pas ouvrir |  | Danger-ne pas fumer |

MISES EN GARDE IMPORTANTES

Lors de l'utilisation d'appareils électriques, respectez toujours les consignes de sécurité de base, surtout en présence d'enfants. Lisez toutes les instructions d'utilisation de l'appareil avant de l'employer. Les informations importantes sont signalées par les mentions suivantes :

- DANGER** Consignes de sécurité extrêmement importantes concernant un danger pouvant entraîner des blessures graves ou mortelles.
- AVERTISSEMENT** Consignes de sécurité importantes concernant un danger pouvant entraîner des blessures graves.
- ATTENTION** Informations visant à éviter l'endommagement de l'appareil.
- REMARQUE** Informations auxquelles il convient de prêter une attention particulière.

Ce guide contient des mises en garde importantes ; veuillez prêter une attention particulière à toutes les consignes de sécurité.

LISEZ TOUTES LES INSTRUCTIONS AVANT TOUTE UTILISATION.

CONSERVEZ CES INSTRUCTIONS.**DANGERS ET AVERTISSEMENTS GÉNÉRAUX**

Vous DEVEZ suivre à la lettre toutes les instructions suivantes pour installer, monter et faire fonctionner le générateur d'oxygène personnel en toute sécurité :

DANGER - NE PAS FUMER **⚠ DANGER**

- **DANGER-Risque de décharge électrique. Ne pas démonter. Aucune pièce du générateur d'oxygène personnel iFill DeVilbiss ne peut être réparée par l'utilisateur. Pour toute réparation, contactez votre fournisseur Sunrise Medical ou d'autres centres d'entretien autorisés.**
- **DANGER-Risque d'incendie Ne pas lubrifier. Le régulateur ou le raccord de robinet de bouteille ne doivent jamais être en contact avec de la graisse ou de l'huile. Ces solutions peuvent s'avérer inflammables et provoquer des brûlures.**
- **DANGER-Votre générateur d'oxygène personnel doit toujours se trouver à au moins 1,6 m (5 pi) de tout objet chaud, dégageant des étincelles ou de toute flamme ouverte. Installez votre générateur à au moins 16 cm (6 po) des murs, des rideaux ou de tout autre objet qui pourrait empêcher son débit d'air normal. Le générateur d'oxygène doit être installé à l'écart des émissions de polluants ou de vapeurs.**
- **DANGER-L'oxygène peut brûler rapidement Ne fumez jamais lorsque votre générateur d'oxygène personnel fonctionne ou lorsque vous vous trouvez à côté d'une personne sous oxygénothérapie. Votre générateur d'oxygène personnel doit toujours se trouver à au moins 1,6 m (5 pi) de tout objet chaud, dégageant des étincelles ou de toute flamme ouverte.**
- **DANGER-Ne posez pas la canule à plat pendant que la bouteille débite de l'oxygène Une concentration élevée d'oxygène peut rapidement causer des brûlures.**

⚠ AVERTISSEMENT

- **Commencez toujours par lire et par comprendre ce guide de l'utilisateur ainsi que les avertissements de l'étiquette de la bouteille d'oxygène avant d'installer, de monter ou de faire fonctionner cet appareil. Si vous ne pouvez pas comprendre les avertissements, les précautions ou les instructions, contactez votre fournisseur ou un technicien, si besoin est, avant d'essayer d'installer ou d'utiliser cet appareil - si vous ne respectez pas cette consigne, vous pouvez vous blesser ou endommager l'appareil.**
- **L'utilisation de cet appareil est réservée à un seul patient sous oxygénothérapie. Les bouteilles NE PEUVENT**

- être utilisées **QUE** par un patient sous oxygénothérapie et ne peuvent être distribuées à toute autre personne.
- N'utilisez jamais de pièces détachées, d'accessoires ou d'adaptateurs autres que ceux autorisés par Sunrise Medical.
- Ne bloquez **JAMAIS** les orifices à air du produit et ne le placez jamais sur une surface molle, tel un lit ou un canapé, où les orifices à air pourraient être bloqués. Faites en sorte que tous les orifices à air soient exempts de peluches, de cheveux et d'autres objets similaires.
- Si le cordon d'alimentation ou la prise électrique du générateur d'oxygène est endommagé, ne fonctionne pas correctement, est tombé, ou a été immergé dans de l'eau, ne l'utilisez pas et appelez immédiatement un technicien qualifié qui inspectera l'appareil et le réparera.
- Si la bouteille d'oxygène fuit, n'essayez pas de l'utiliser. Réglez le sélecteur rotatif du régulateur sur « OFF ». Si la fuite continue, placez la bouteille à l'extérieur et avertissez votre prestataire de soins de santé à domicile ou votre réparateur.
- Le générateur d'oxygène personnel est équipé d'une valve de sûreté à haute pression pour garantir la sécurité de l'utilisateur. Cette valve fait énormément de bruit lorsqu'elle est activée. Si c'est le cas, éteignez l'appareil et contactez votre prestataire de soins de santé à la maison ou votre réparateur.
- Avant de déplacer le générateur d'oxygène personnel, débranchez toujours son cordon d'alimentation c.a. Dans le cas contraire, l'appareil peut être endommagé et vous pouvez vous blesser.
- Les enfants se trouvant à proximité du générateur d'oxygène doivent toujours être surveillés. Dans le cas contraire, l'appareil peut être endommagé et ils peuvent se blesser.
- Une mauvaise utilisation du cordon d'alimentation et des prises peut entraîner des brûlures, un incendie ou des décharges électriques. N'utilisez jamais l'appareil si son cordon d'alimentation est endommagé.
- Pour votre sécurité, utilisez toujours la bouteille d'oxygène en respectant l'ordonnance de votre médecin.
- Dans certains cas, une oxygénothérapie peut s'avérer dangereuse. Demandez toujours l'avis d'un médecin avant d'utiliser de l'oxygène.

⚠ AVERTISSEMENT - CONSIGNES DE MANIPULATION

- Faites toujours extrêmement attention lorsque vous manipulez et que vous remplacez la bouteille d'oxygène. Les bouteilles d'oxygène pleines sont sous pression et peuvent se transformer en projectile si elle tombent ou ne sont pas manipulées correctement.
- Ne transportez jamais un générateur d'oxygène équipé d'une bouteille branchée. Vous pourriez vous blesser ou endommager l'appareil.

PRÉCAUTIONS ET REMARQUES

ATTENTION—Selon la loi fédérale américaine, cet appareil ne peut être vendu que par un médecin ou sur ordonnance médicale.

REMARQUE— Ne le branchez jamais sur une prise électrique contrôlée par un interrupteur mural. Aucun autre appareil ne peut être branché sur la prise murale.

REMARQUE— Une des fiches de la prise du générateur d'oxygène personnel iFill DeVilbiss est plus large que l'autre. Pour éviter toute décharge électrique, cette prise ne peut être branchée que d'une seule façon. N'essayez jamais de contourner cette mesure de sécurité.

REMARQUE— Sunrise Medical vous conseille de laisser une bouteille d'oxygène pleine au patient **APRÈS** avoir configuré le générateur d'oxygène personnel.

LISTE DE VÉRIFICATION DU FOURNISSEUR

Avant de laisser le générateur d'oxygène personnel iFill DeVilbiss à un patient, vous **DEVEZ** effectuer toutes les vérifications suivantes :

1. Vérifiez qu'aucune des pièces de l'appareil n'a été endommagée durant le transport. Si c'est le cas, ne l'utilisez pas. Contactez Sunrise Medical pour obtenir des instructions supplémentaires.
2. Vérifiez que la date de test hydrostatique de la bouteille d'oxygène n'a pas expiré.
3. Apprenez à l'utilisateur comment faire fonctionner son générateur d'oxygène personnel en toute sécurité et étudiez ensemble **TOUS** les avertissements.
4. Donnez au patient un exemplaire de ce guide de l'utilisateur.

REMARQUE— Sunrise Medical vous conseille de laisser au patient une bouteille d'oxygène pleine **APRÈS** avoir configuré le générateur d'oxygène et de lui conseiller de toujours garder une bouteille pleine disponible.

INTRODUCTION

Ce guide de l'utilisateur vous familiarisera avec le générateur d'oxygène personnel iFill DeVilbiss. Lisez et comprenez toutes les instructions de ce guide avant de faire fonctionner votre générateur d'oxygène. Il contient des mises en garde importantes ; veuillez prêter une attention particulière à toutes les consignes de sécurité. Si vous avez des questions, contactez votre fournisseur d'équipement Sunrise Medical/DeVilbiss. **REMARQUE**– Toutes les références à la bouteille dans le présent guide s'applique à une bouteille d'oxygène.

CONSEILS D'UTILISATION

Le système de remplissage 535D fournit de l'oxygène sous pression pour les bouteilles devant être branchées sur l'appareil ambulateur du patient. Ce dispositif fournit 93 % ($\pm 3\%$) d'oxygène. Il peut être utilisé à domicile, dans les maisons de soins infirmiers, les cliniques, etc.

PIÈCES PRINCIPALES

GÉNÉRATEUR D'OXYGÈNE PERSONNEL IFILL DEVILBISS (FIGURES A ET B)

1. Raccord de remplissage d'oxygène (désigné 'raccord de remplissage' dans le présent guide)
2. Capuchon du raccord de remplissage/adaptateur de la bouteille d'oxygène (désigné 'capuchon du raccord de remplissage et/ou adaptateur de la bouteille' dans le présent guide)
3. Collier d'orifice de remplissage d'oxygène (désigné 'collier d'orifice de remplissage' dans le présent guide)
4. Étiquette d'instruction
5. Étiquette du panneau indicateur
 - a. Voyant (rouge) indicateur d'entretien
 - b. Voyant (Vert) de remplissage
6. Interrupteur marche/arrêt
7. Berceau
8. Disjoncteur
9. Poignée avant
10. Poignée arrière
11. Logement de la poignée de transport
12. Filtres d'aspiration (2 - un de chaque côté)
13. Compteur horaire - derrière le filtre, sur le côté de l'étiquette du panneau des indicateurs (côté droit)
- c. Indicateur (Vert) de bouteille pleine
- d. Indicateur (Vert) de mode de veille

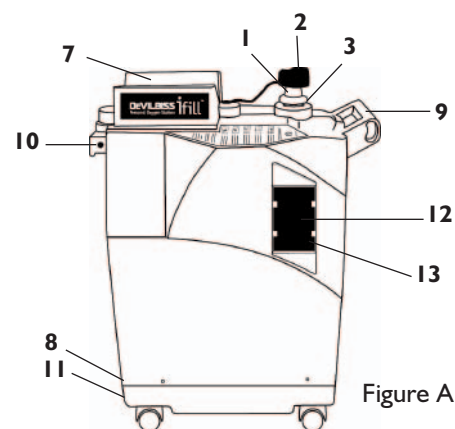


Figure A

BOUTEILLE D'OXYGÈNE IFILL ET RÉGULATEUR (FIGURE C)

1. Sélecteur rotatif
2. Raccord du mamelon
3. Date du test hydrostatique - Contactez votre fournisseur de produits de soins à domicile ou le fabricant de la bouteille pour de plus amples informations.
4. Raccord de la canule

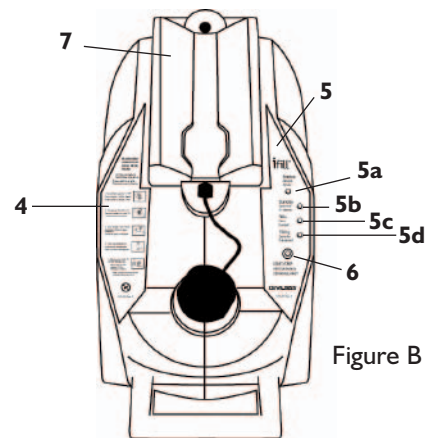


Figure B

ACCESSOIRES/PIÈCES DE RECHANGE

1. Filtre(s) d'admission
2. Bouteille d'oxygène iFill dotée d'un régulateur intégré PulseDose (USA)

535D-605 (6 filtres)

PD1000A-M4

PD1000A-M6

PD1000A-ML6

PD1000A-C

PD1000A-D

PD1000A-E

Bouteille d'oxygène iFill dotée d'un régulateur intégré PulseDose (Canada)

PD1000A-CAN-M4

PD1000A-CAN-M6

PD1000A-CAN-ML6

PD1000A-CAN-C

PD1000A-CAN-D

PD1000A-CAN-E

3. Bouteille d'oxygène iFill dotée d'un régulateur de débit continu (USA)

535D-M6-CF

535D-ML6-CF

535D-C-CF

535D-D-CF

535D-E-CF

Bouteille d'oxygène iFill dotée d'un régulateur de débit continu (Canada)

535C-M6-CF

535C-ML6-CF

535C-C-CF

535C-D-CF

535C-E-CF

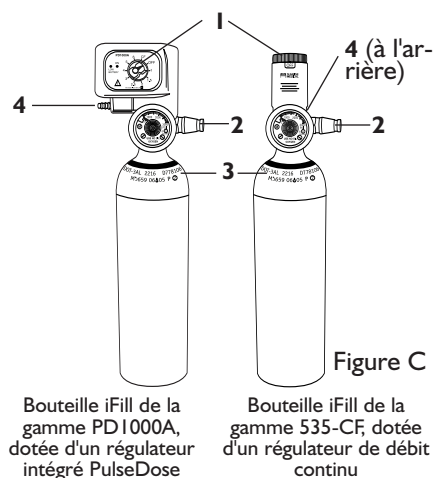


Figure C

Bouteille iFill de la gamme PD1000A, dotée d'un régulateur intégré PulseDose

Bouteille iFill de la gamme 535-CF, dotée d'un régulateur de débit continu

PRÉPARATION

REMARQUE– Avant d'utiliser le générateur d'oxygène personnel iFill DeVilbiss pour la première fois, placez-le où vous voulez.

CHOISIR L'EMPLACEMENT

⚠ AVERTISSEMENT

Le générateur d'oxygène personnel doit se trouver à au moins six (6) pouces des murs, rideaux ou meubles pour garantir un débit d'air suffisant.

Ne placez jamais l'appareil à côté du chauffage, des radiateurs ou des bouches de chaleur. Votre générateur d'oxygène personnel doit toujours se trouver à au moins 1,6 m (5 pi) de tout objet chaud, dégageant des étincelles ou de toute flamme ouverte.

Ne l'utilisez jamais dans un placard fermé.

N'utilisez jamais l'appareil dans un endroit où l'air peut contenir du monoxyde de carbone car cela pourrait réduire sa durée de vie (par ex. à proximité d'un moteur à essence, d'une chaudière ou d'un radiateur).

TRANSPORT DU GÉNÉRATEUR D'OXYGÈNE PERSONNEL IFILL DEVILBISS

⚠ AVERTISSEMENT

Ne transportez jamais le générateur d'oxygène personnel équipé d'une bouteille branchée ou entreposée, car vous pourriez vous blesser ou endommager l'appareil.

ATTENTION– Lorsque vous transportez le générateur d'oxygène personnel iFill DeVilbiss, faites attention à ne pas le cogner ou cogner les connecteurs. Si cela se produisait, il pourrait s'endommager.

Il existe trois (3) façons de transporter le générateur d'oxygène personnel iFill DeVilbiss en toute sécurité (Figure 1):

1. Tirez ou poussez l'appareil à roulettes à l'aide de la poignée avant. Déplacez-vous en ligne droite afin que l'appareil ne se renverse pas. Arrêtez-vous complètement avant de changer de direction.
2. Portez l'appareil en le soulevant par les poignées avant et arrière en même temps.
3. Soulevez l'appareil en agrippant la poignée avant et en plaçant l'autre main dans le renforcement situé sous la partie arrière du socle.

LISTE DE VÉRIFICATION DU FONCTIONNEMENT DU GÉNÉRATEUR D'OXYGÈNE PERSONNEL IFILL DEVILBISS

REMARQUE– À chaque fois que vous utilisez le générateur d'oxygène pour remplir une bouteille, effectuez la procédure suivante :

1. Vérifiez la date du test hydrostatique – **Figure C. 3** - Les bouteilles en aluminium doivent être testées tous les cinq (5) ans. Contactez votre prestataire de produits de soins à domicile ou le fabricant de la bouteille pour de plus amples détails à ce sujet.

REMARQUE– Ne remplissez pas les bouteilles d'oxygène qui n'ont pas été testées durant les cinq (5) dernières années. Contactez votre fournisseur Sunrise pour obtenir des bouteilles de rechange.

2. Avant de remplir la bouteille d'oxygène iFill, examinez sa partie externe en suivant les consignes ci-dessous.

⚠ AVERTISSEMENT

Utilisez **UNIQUEMENT** des bouteilles équipées d'un raccord de remplissage de générateur d'oxygène personnel iFill DeVilbiss.

Toutes les bouteilles doivent être vérifiées avant d'essayer de les remplir. Le non-respect de cette consigne peut causer des blessures ou des dommages matériels.

INSPECTION EXTERNE DE LA BOUTEILLE D'OXYGÈNE IFILL

1. Vérifiez que la partie externe de la bouteille n'a pas :
 - a) De bosses ou de creux

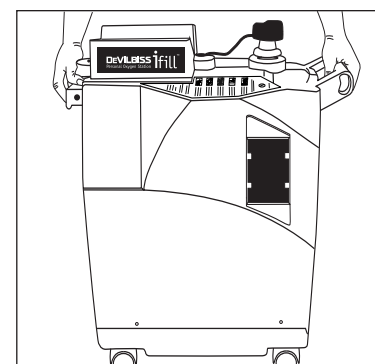


Figure 1

- b) De brûlure d'arc électrique
 - c) D'huile ou de graisse
 - d) D'autres dommages rendant l'utilisation de la bouteille impossible ou dangereuse.
2. Examinez la bouteille pour voir si elle a été endommagée par la chaleur ou par le feu. Si c'est le cas, la peinture sera éventuellement carbonisée, elle aura des cloques ou sera recouverte d'un revêtement protecteur ou d'un indicateur de sensibilité thermique. Si vous remarquez que la bouteille a subi des dommages thermiques, remplacez-la.
3. Inspectez le raccord de remplissage d'oxygène:
- a) Débris, huile ou graisse
 - b) Des dommages importants
 - c) Des signes de corrosion à l'intérieur de la valve
 - d) Des dommages excessifs dus à la chaleur ou à un incendie.
- Si vous découvrez les problèmes suivants, appelez votre fournisseur de produits de soins à domicile.

FONCTIONNEMENT

BRANCHEMENT DE LA BOUTEILLE IFILL SUR LE GÉNÉRATEUR D'OXYGÈNE PERSONNEL IFILL DE DEVILBISS

⚠ DANGER

Danger d'incendie. Ne pas lubrifier. Le régulateur ou le raccord de robinet de bouteille ne doivent jamais être en contact avec de la graisse ou de l'huile. Ces solutions peuvent s'avérer inflammables et provoquer des brûlures.

⚠ AVERTISSEMENT

Ne modifiez jamais les raccords du générateur d'oxygène personnel. N'utilisez JAMAIS d'outils pour brancher ou débrancher la bouteille et le générateur d'oxygène. Une telle pratique pourrait causer des blessures ou des dommages matériels.

Ne laissez jamais tomber les bouteilles d'oxygène. Manipulez et transportez toujours les bouteilles d'oxygène à deux (2) mains. Dans le cas contraire, vous pourriez vous blesser ou endommager le matériel.

REMARQUE— Consultez les sections **DANGERS ET AVERTISSEMENTS GÉNÉRAUX AINSI QUE CONSIGNES DE MANIPULATION** de ce manuel.

1. Branchez le cordon d'alimentation dans la prise murale.
2. Réglez le sélecteur rotatif de la bouteille sur « OFF ».
3. Retirez le capuchon du raccord de remplissage d'oxygène.
4. Placez la bouteille sur le berceau en alignant le raccord de mamelon de la bouteille d'oxygène sur le raccord de remplissage. Appuyez sur la bouteille jusqu'à ce que vous entendiez un déclic indiquant qu'elle est enclenchée (Figure 2). **REMARQUE**— Pour soutenir les bouteilles d'oxygène M4 ou M6 plus petites, placez l'adaptateur de bouteille/capuchon du raccord de remplissage dans le berceau. Les bouteilles d'oxygène ML6, C, D ou E plus grandes n'ont pas besoin de l'adaptateur de bouteille/capuchon de raccord de remplissage pour tenir, et ce dernier peut donc pendre sur le côté.

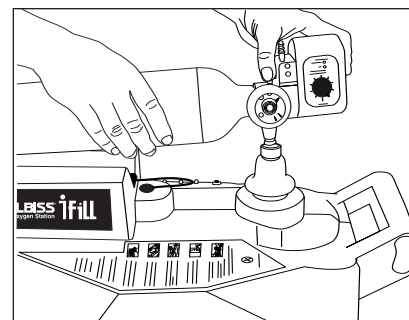


Figure 2

REPLISSAGE DE LA BOUTEILLE D'OXYGÈNE IFILL

REMARQUE— Consultez les sections **DANGERS ET AVERTISSEMENTS GÉNÉRAUX AINSI QUE CONSIGNES DE MANIPULATION** de ce manuel.

1. Vérifiez que le générateur d'oxygène personnel est bien branché.
2. Vérifiez que la bouteille est bien connectée au générateur d'oxygène. Consultez la section **Branchement de la bouteille iFill sur le générateur d'oxygène personnel iFill de DeVilbiss**.
3. Appuyez sur l'interrupteur marche/arrêt du panneau de commande (Figure 3).
4. La séquence d'événements suivants doit alors se dérouler :
 - a. L'indicateur (vert) de **REPLISSAGE** s'allume lorsque la bouteille est en train de se remplir (consultez la section **Durées de remplissage de la bouteille d'oxygène iFill**).
 - b. Le voyant (vert) **PLEIN** s'allume lorsque que la bouteille est pleine. Retirez la bouteille d'oxygène iFill.

REMARQUE— Si le voyant d'entretien (**ROUGE**) s'allume et que l'alarme sonore retentit, consultez la section **DÉPANNAGE** de ce manuel.

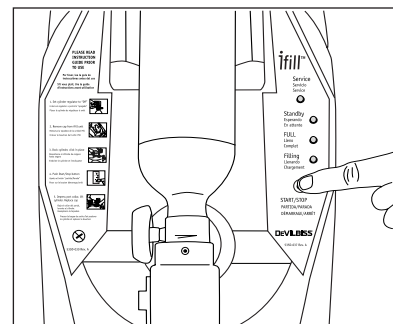


Figure 3

EXPLICATION DES VOYANTS INDICATEURS

COULEUR DU VOYANT LUMINEUX	ÉTAT DU GÉNÉRATEUR D'OXYGÈNE	CONSÉQUENCE
Aucune	Le générateur d'oxygène est débranché.	Aucune
En mode de veille (vert)	Le générateur d'oxygène est prêt à commencer à remplir les bouteilles.	Le remplissage de bouteille n'a pas commencé
Remplissage en cours (vert)	Le générateur d'oxygène est sous tension et la bouteille est en train de se remplir.	La bouteille est en train de se remplir
Plein (vert)	La bouteille est pleine.	Retirez la bouteille
Alarme sonore et d'entretien (rouge)	Le générateur d'oxygène est sous tension mais la bouteille ne se remplit pas à cause d'une défaillance interne.	Contactez votre fournisseur Sunrise Medical

RETRAIT DE LA BOUTEILLE D'OXYGÈNE IFILL

⚠ AVERTISSEMENT

Ne modifiez jamais les raccords du générateur d'oxygène personnel. Ne lubrifiez jamais les raccords. N'utilisez jamais d'outils pour brancher ou débrancher la bouteille et le générateur d'oxygène. Une telle pratique pourrait causer des blessures ou des dommages matériels.

Manipulez toujours la bouteille d'oxygène avec soin lorsque vous la remplacez. Les bouteilles d'oxygène pleines sont sous pression et peuvent se transformer en projectile si elle tombent ou ne sont pas manipulées correctement.

REMARQUE– Consultez les sections *DANGERS ET AVERTISSEMENTS GÉNÉRAUX AINSI QUE CONSIGNES DE MANIPULATION* de ce manuel.

- Retirez la bouteille pleine en appuyant sur le collier d'orifice de remplissage situé sous le raccord de mamelon de la bouteille, tout en stabilisant cette dernière avec l'autre main (Figure 4).
- Soulevez la bouteille pour la déconnecter du raccord de remplissage d'oxygène. Le voyant vert de mode de veille s'allume au bout de quelques secondes.
- Pendant quelques secondes après que la bouteille ait été retirée, de l'oxygène s'échappe du raccord de remplissage en faisant éventuellement du bruit (pop). C'est tout à fait normal.**
- Effectuez une (1) des procédures suivantes :
 - Le cas échéant, remplissez une autre bouteille d'oxygène. Consultez la *Liste de vérification du fonctionnement du générateur d'oxygène personnel iFill DeVilbiss*.
 - Placez le capuchon du raccord de remplissage d'oxygène sur ce dernier.

REMARQUE– Le capuchon du raccord de remplissage d'oxygène doit toujours être installé lorsque les bouteilles ne sont pas remplies.

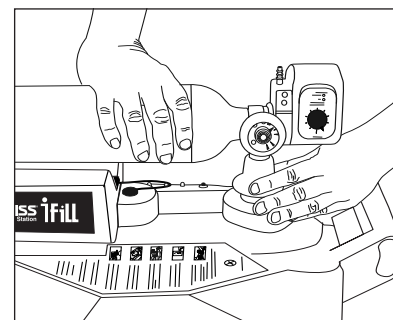


Figure 4

RÉGLAGES ADÉQUATS DU SÉLECTEUR ROTATIF DE LA BOUTEILLE D'OXYGÈNE IFILL

- Fixez la canule nasale au raccord de canule de la bouteille d'oxygène iFill.
- Réglez le sélecteur rotatif sur L/min. comme cela a été prescrit par votre docteur.

⚠ AVERTISSEMENT

La modification du réglage L/min affecte la dose d'oxygène fournie, et nous vous conseillons de NE JAMAIS le modifier à moins que votre docteur ne vous le demande.

- Pour arrêter le débit d'oxygène, faites tourner le sélecteur rotatif dans le sens inverse des aiguilles d'une montre, jusqu'à ce qu'il soit sur « OFF ».

DÉPANNAGE

Le tableau de dépannage suivant vous aidera à analyser et à réparer les pannes mineures du système. Si les procédures suggérées ne fonctionnent pas, contactez votre fournisseur de produits de soins à domicile Sunrise Medical/DeVilbiss. N'essayez jamais d'effectuer d'autres types d'entretien.

⚠ AVERTISSEMENT

Pour éviter de vous électrocuter, ne retirez jamais le boîtier de l'appareil. Ce dernier ne peut être retiré que par un technicien Sunrise Medical/DeVilbiss.

GÉNÉRATEUR D'OXYGÈNE PERSONNEL IFILL DEVILBISS

PROBLÈME	SOLUTION
Aucun voyant n'est allumé.	1. Vérifiez que le cordon d'alimentation du générateur d'oxygène personnel est correctement branché dans la prise murale. Vérifiez que l'interrupteur situé à proximité de l'entrée du cordon d'alimentation est enfoncé. Si le voyant ne s'allume toujours pas, contactez votre fournisseur Sunrise Medical/DeVilbiss.
Le voyant rouge est allumé.	1. Vérifiez que la bouteille d'oxygène iFill est bien connectée. 2. Appuyez sur l'interrupteur marche/arrêt. Si le voyant rouge est toujours allumé, contactez votre fournisseur Sunrise Medical/DeVilbiss pour qu'il vienne le réparer. 3. Si le voyant rouge s'allume durant la procédure de remplissage, vérifiez que la bouteille est correctement connectée. Retirez la bouteille et réinstallez-la. Vérifiez que le sélecteur rotatif de la bouteille est sur « OFF ». Appuyez sur l'interrupteur marche/arrêt pour éteindre le voyant rouge puis appuyez à nouveau dessus pour relancer la procédure de remplissage de la bouteille. Si le voyant rouge est toujours allumé, contactez votre fournisseur Sunrise Medical/DeVilbiss pour qu'il vienne le réparer.
Durée de remplissage excessive OU le voyant de remplissage vert reste allumé.	1. Vérifiez que le sélecteur rotatif de la bouteille d'oxygène iFill est bien sur « OFF ». 2. Vérifiez le tableau Durées de remplissage typiques de la bouteille d'oxygène. 3. Vérifiez que la bouteille est correctement branchée : Pour cela, appuyez sur l'interrupteur marche/arrêt pour repasser en mode de veille. Retirez la bouteille et réinstallez-la. Appuyez sur l'interrupteur marche/arrêt pour commencer à remplir la bouteille. 4. Si le problème persiste, contactez votre fournisseur Sunrise/DeVilbiss pour qu'il vienne réparer l'appareil.

BOUTEILLE/RÉGULATEUR D'OXYGÈNE IFILL

PROBLÈME	SOLUTION
La bouteille d'oxygène iFill émet un sifflement.	1. Réglez le sélecteur rotatif sur OFF. 2. Si le sifflement continue, appelez votre fournisseur Sunrise Medical/DeVilbiss.
La bouteille d'oxygène iFill est sous tension mais ne fournit pas d'oxygène.	1. Remplissez à nouveau la bouteille. 2. Vérifiez que la canule est droite et non pincée. Si elle est endommagée, remplacez-la. 3. Appelez votre fournisseur Sunrise Medical/DeVilbiss pour qu'il vienne réparer l'appareil.

QUESTIONS-RÉPONSES TYPES

- Q. Pourquoi mon générateur iFill fait-il un bruit (pop) lorsque je retire la bouteille ?**
- A. Ce bruit provient du relâchement de la pression du système, pour que vous puissiez installer plus facilement la bouteille suivante.
- Q. Pourquoi le coupleur doit-il être nettoyé uniquement lorsque c'est nécessaire, avec un chiffon propre, sec et non pelucheux ?**
- A. Les solutions de nettoyage peuvent s'avérer inflammables et/ou peuvent contaminer la bouteille.
- Q. Pourquoi mes anciennes bouteilles ne sont-elles pas compatibles avec le générateur iFill ?**
- A. Comme l'exige la FDA, le générateur d'oxygène iFill est équipé d'une connexion exclusive, compatible uniquement avec certaines bouteilles.

ENTRETIEN/NETTOYAGE

FILTRES DU GÉNÉRATEUR D'OXYGÈNE PERSONNEL IFILL DEVILBISS

ATTENTION – N'utilisez jamais le générateur d'oxygène personnel sans avoir installé les filtres adéquats.

REMARQUE– Le générateur d'oxygène personnel iFill DeVilbiss est équipé de deux (2) filtres, un de chaque côté du boîtier (FIGURE A).

REMARQUE– Effectuez cette procédure au moins UNE FOIS PAR SEMAINE.

1. Débranchez le cordon d'alimentation de la prise murale.
2. Retirez les filtres.
3. Nettoyez les filtres à l'aide d'un aspirateur ou lavez-les à l'eau chaude savonneuse puis rincez-les soigneusement.
4. Séchez soigneusement les filtres avant de les réinstaller.

BOÎTIER EXTERNE

AVERTISSEMENT

Danger d'électrocution. Débranchez le générateur d'oxygène personnel lorsque vous le nettoyez. N'enlevez pas le boîtier du générateur. Ce dernier ne peut être retiré que par un technicien Sunrise Medical/DeVilbiss. N'appliquez jamais directement du liquide sur le boîtier et n'utilisez jamais de solvant ou de détachant à base de pétrole.

1. Nettoyez l'extérieur du boîtier à l'aide d'un chiffon humide ou d'une éponge trempée dans un nettoyant domestique doux et séchez-le avec un chiffon.
2. Le cas échéant, essuyez le coupleur avec un chiffon propre, sec et sans peluche.

CARACTÉRISTIQUES TECHNIQUES

GÉNÉRATEUR D'OXYGÈNE PERSONNEL IFILL DEVILBISS

Température de fonctionnement : 41° à 95°F (5° à 35°C)
 Plage d'humidité de fonctionnement : 15 % à 95 % d'humidité relative (sans condensation)
 Altitude de fonctionnement : 0 à 6 562 pieds (0 à 2 000 mètres)
 Plage de températures d'entreposage : -40°F à +158°F (-40°C à +70°C)
 Plage d'humidité d'entreposage : 10 % à 95 % (sans condensation)
 Caractéristiques électriques : 115V~ 60Hz 4.1 Amps
 Plage de tension de fonctionnement : 97 – 127V~ 60HZ
 Gamme des puissances : 400 Watts en moyenne
 Pureté de l'oxygène : 93% O₂ ± 3%
 Dimensions : (y compris les roulettes) sans bouteille 12,25 po L x 28,5 po H x 22,5 po P
 Poids : 66 lb
 Poids d'expédition : 76 lb
 Cet appareil est classé comme appareil non protégé (matériel ordinaire)
 conformément à la norme EN60601-1 IPX0

Caractéristiques susceptibles d'être modifiées sans préavis.

DURÉES DE REMPLISSAGE TYPIQUES DE LA BOUTEILLE D'OXYGÈNE IFILL

REMARQUE– Toutes les durées de remplissage sont approximatives et peuvent varier en fonction de l'altitude et des conditions environnementales.

Les durées de remplissage typiques d'une bouteille de vide à 2 000 +/- 200 psig sont les suivants :

M4 60 Minutes
 M6 75 Minutes
 ML6 90 Minutes
 C 130 Minutes
 D 215 Minutes
 E 350 Minutes

REMARQUE– Une dégradation de la performance de l'appareil peut se produire si ce dernier est utilisé en dehors des paramètres de fonctionnement spécifiés.



Sunrise Medical

Respiratory Products Division
100 DeVilbiss Drive
Somerset, Pennsylvania 15501 USA
814-443-4881

Sunrise Medical Canada, Inc.

237 Romina Drive, Unit 3
Concord, Ontario L4K 4V3
CANADA
905-660-2459

Sunrise Medical Ltd.

Sunrise Business Park
High Street
Wollaston, West Midlands DY8 4PS
ENGLAND
44-138-444-6688

Sunrise Medical Benelux

Pascalbaan 3
Nieuwegein 3439 MP
NETHERLANDS
31-3060-82-100

Sunrise Medical Pty. Limited

15 Carrington Road, Unit 7
Castle Hill NSW 2154
AUSTRALIA
61-2-9899-3144

Sunrise Medical

Division Respiratoire
13 Rue de la Painguetterie
37390 Chanceaux / Choisille
FRANCE
33-247-55-44-00

Sunrise Medical

DeVilbiss Produkte
Kahlbachring 2-4
D-69254 Malsch/Heidelberg
GERMANY
49-7253-980-460

Sunrise Medical

Rehabsenteret
1450 Nesoddtangen
NORWAY
47-66-96-38-00